

Notes:

Date: 04/09/18

Drawn By: SKH/BJG

Scale: 1/4" = 1'

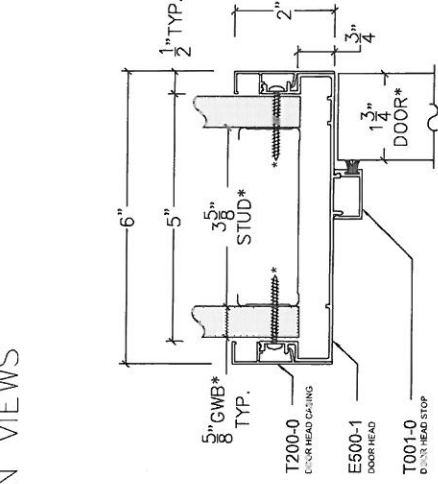
State: TX

City: SAN ANTONIO

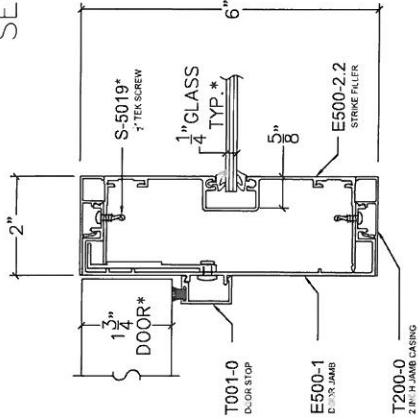
Project: GUIDO LOCAL GC OFFICE

Customer: ARCHITECTURAL DIVISION 8

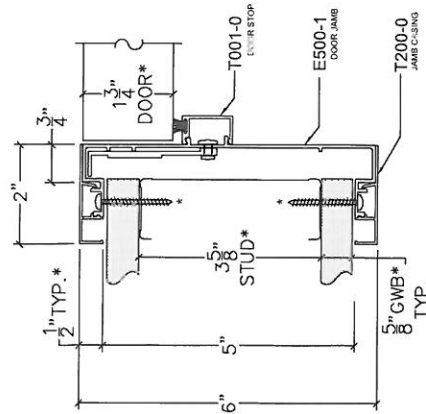
SECTION VIEWS



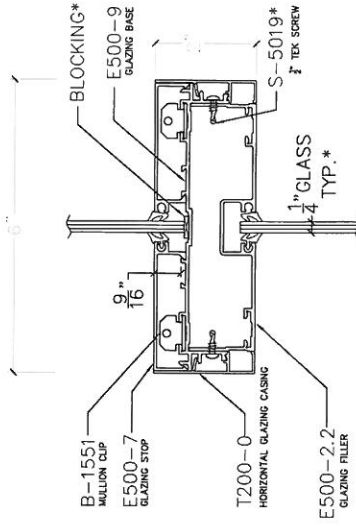
DOOR HEAD E200 2" CASING



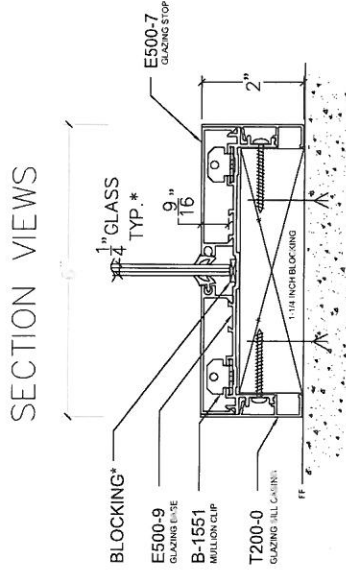
DOOR JAMB SIDELIGHT E150 2" CASING



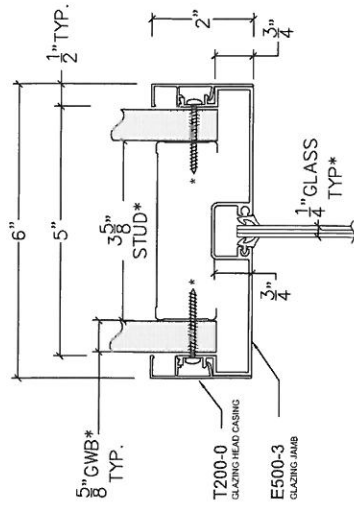
DOOR JAMB E100 2" CASING



GLAZING INTERMEDIATE HORIZONTAL E425 2" CASING



GLAZING SILL E420 2" CASING

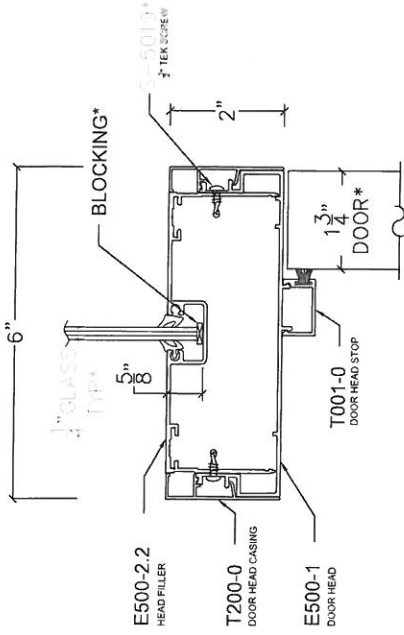


GLAZING HEAD E400 2" CASING

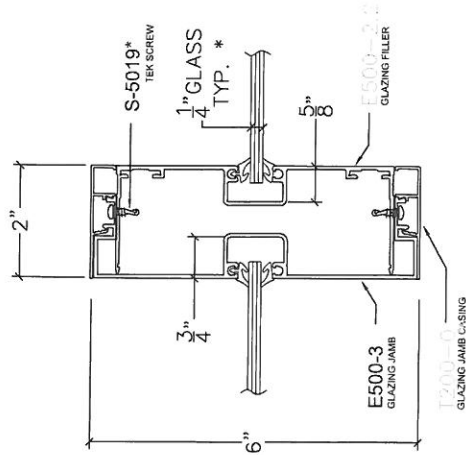
Notes:

Customer: ARCHITECTURAL DIVISION 8	Project: GUIDO LOCAL GC OFFICE	City: SAN ANTONIO	Architect: JOSH CHANDLER	Scale: 1/8" = 1'
State: TX		Drawn By: SKH/BJGC	Date: 04/09/18	

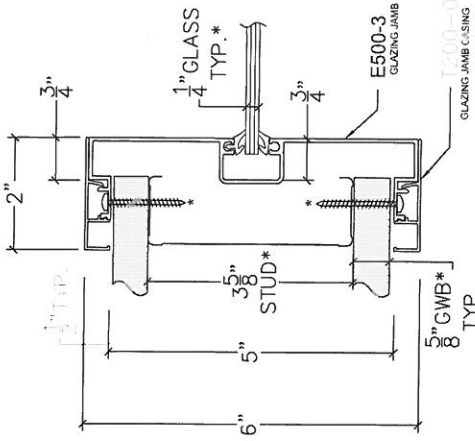
SECTION VIEWS



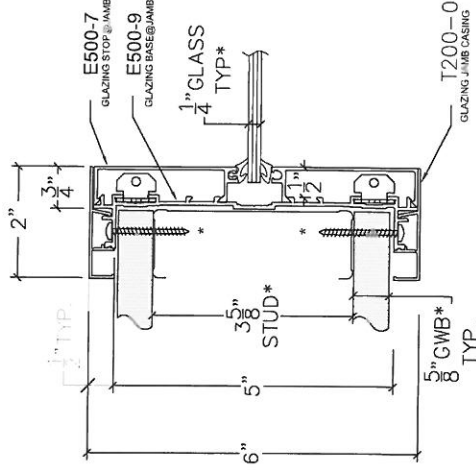
TRANSOM HEADER E215 2" CASING



GLAZING INTERMEDIATE VERTICAL E305  
2" CASING



GLAZING JAMB E300 2" CASING



GLAZING JAMB E300w9 2" CASING